

DC-AC INVERTER UNIT

PS-DA0245-02 (S) (12 W DUAL OUTPUTS)

(PRELIMINARY INFORMATION)

DESCRIPTION :

This low profile DC to AC Inverter is developed for dual lamps. Optimized for Sharp LQ150X1LG2A

APPLICABLE LCD:

- Lamp Voltage 1050 Vrms
- Lamp Current 2 x 4.5 mArms
- Lamp Start Up Voltage 2.400 Vrms (Vin : 12 Vdc)

FEATURES :

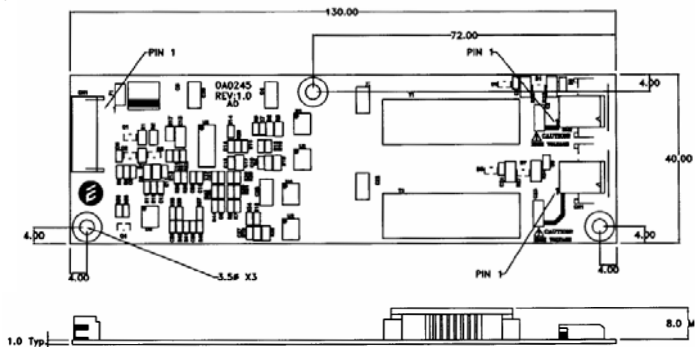
- Wide Operating temperature range
- Alarm signal function
- PWM dimming type.
- Current Feedback Circuit
- Remote ON/OFF
- Open Lamp Detection
- Extra high starting Voltage
- RoHS complaint (S)



TEMPERATURE & HUMDITY :

- Operating Temperature Range -30°C ~ +60°C
- Storage Temperature Range -30°C ~ +85°C
- Humidity 95 %RH max

DIMENSIONS :



Unit : mm
Weight :28 (g) typ.

Note: Please use plastic screw in case of a non-insulating mounting base!

Components

No.	Part Discription	Qty.	Material	Note
1	PCB	1	UL94V-0 (FR-4 or CEM-3)	t=1mm
2	Connector CN1	1	S7B-PH-SM3	JST or equal
3	Connector CN2 + CN3	2	SM02B-BHSS-1-TB	JST or equal

Input side CN1:

Pin No.	Symbols	Ratings
CN 1-1	Vin	10,8 ~ 13,2 Vdc
CN 1-2	Vin	10,8 ~ 13,2 Vdc
CN 1-3	GND	
CN 1-4	GND	
CN 1-5	Vbr	0 ~ 3.0 Vdc
CN 1-6	Vst	0 / 5 Vdc
CN 1-7	Vrmt	0 ~ 0.4 = OFF / 2.5 ~ Vin = ON

Output side CN2:

Pin No.	Symbols	Ratings
CN 2-1	Vhigh	1050 Vrms (4.5 mArms)
CN 2-2	GND	-

Output side CN3:

Pin No.	Symbols	Ratings
CN 3-1	Vhigh	1050 Vrms (4.5 mArms)
CN 3-2	GND	-

Power Systems – The Power Solution

Web: www.Power-Systems.de
Email: Info@Power-Systems.de

Address: Hauptstraße 48; 74360 Ilsfeld-Auenstein / Germany
Tel. : + 49 / 70 62 / 67 59 - 6
Fax: + 49 / 70 62 / 67 59 - 800

DC-AC INVERTER UNIT

PS-DA0245-02 (S) (12 W DUAL OUTPUTS)

(PRELIMINARY INFORMATION)

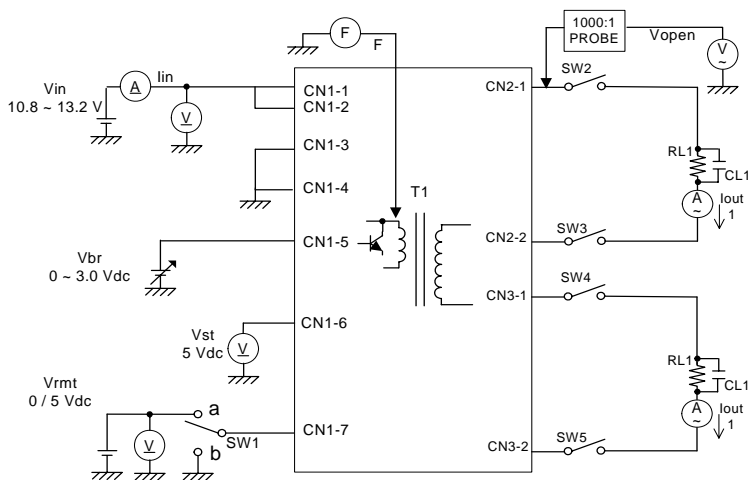
ELECTRICAL CHARACTERISTICS :

Parameters	Symbols	Conditions			Specification			Unit	Note
		Vin (V)	Vbr (V)	Tu (°C)	Min.	Typ.	Max.		
Output Current	Iout	12±1.2	0.0	-30 ~ +60	4.0	4.5	5.0	m Arms	Duty 100%
Output Current	Iout	12±0.6	3.0	-30 ~ +60		15		%	Duty min
Input Current	Iin1	12±1.2	0.0	-30 ~ +60	-	1.01	1.31	Adc	
Frequency	F	12±1.2	0.0	-30 ~ +60	45	50	55	kHz	
Open Circuit Voltage	Vopen	11.4	0.0	-30 ~ +60	2.200	2.400	2.700	Vrms	
No load Shutdown	Tsd	12±1.2	0.0	-30 ~ +60	-	1.0	-	sec	without load

Note 1 : Please keep minimum of 2mm clearance (all directions) between inverter high voltage area as marked on mechanical drawing and any conductors.

Note 2 : Open circuit on all lamps for more than 3 sec., will shut the inverter down.

TEST CIRCUIT :



SW1	Operation of unit
a	Operation
b	Non operation

Power Systems – The Power Solution

Web: www.Power-Systems.de
 Email: Info@Power-Systems.de

Address: Hauptstraße 48; 74360 Ilsfeld-Auenstein / Germany
 Tel. : + 49 / 70 62 / 67 59 - 6
 Fax: + 49 / 70 62 / 67 59 - 800